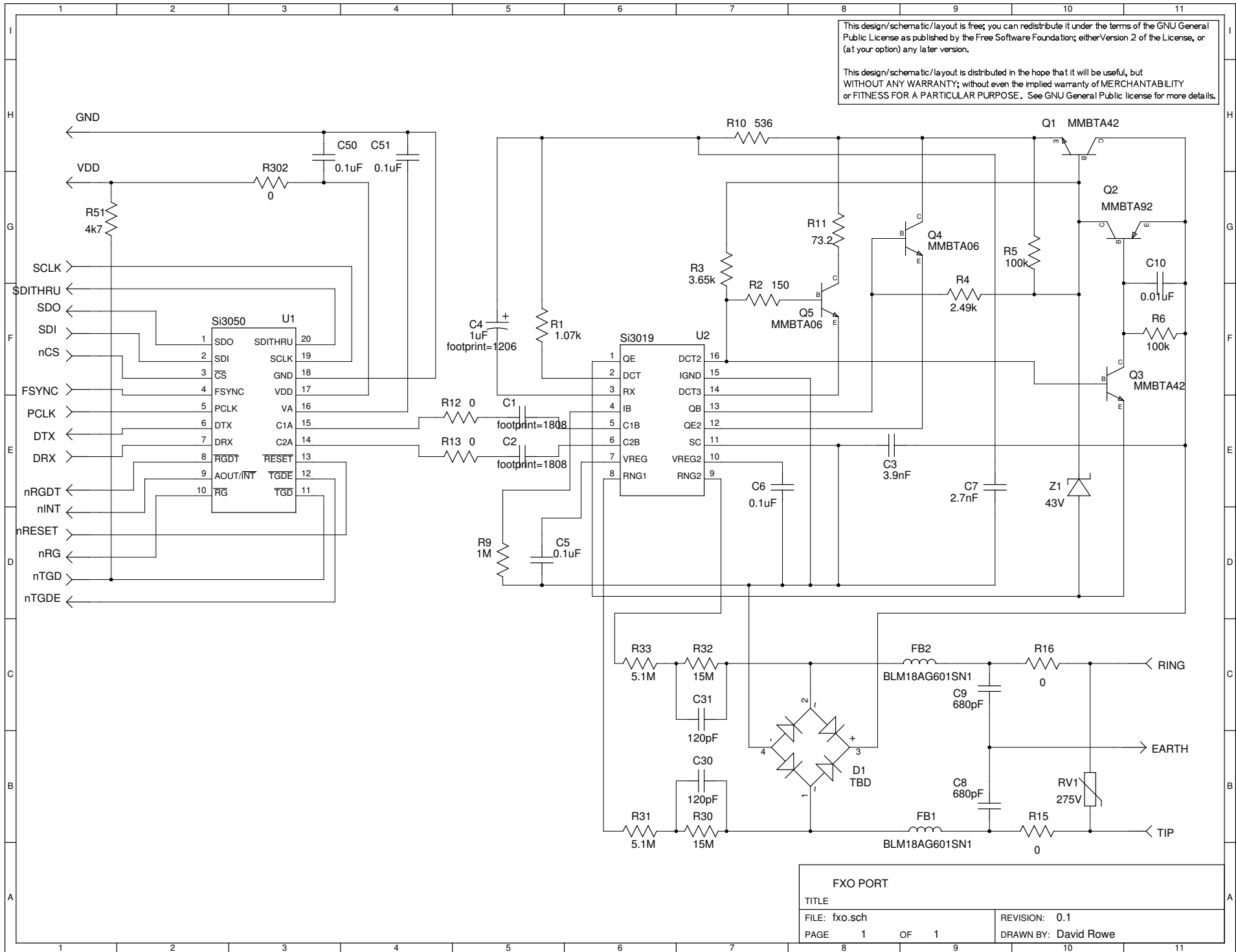


This design/schematic/layout is free; you can redistribute it under the terms of the GNU General Public License as published by the Free Software Foundation; either Version 2 of the License, or (at your option) any later version.

This design/schematic/layout is distributed in the hope that it will be useful, but WITHOUT ANY WARRANTY; without even the implied warranty of MERCHANTABILITY or FITNESS FOR A PARTICULAR PURPOSE. See GNU General Public license for more details.



FXO PORT		
TITLE		
FILE: fxo.sch	REVISION: 0.1	
PAGE 1 OF 1	DRAWN BY: David Rowe	